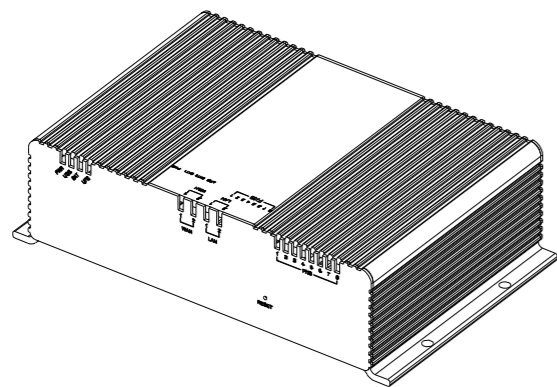




Quick Installation Guide

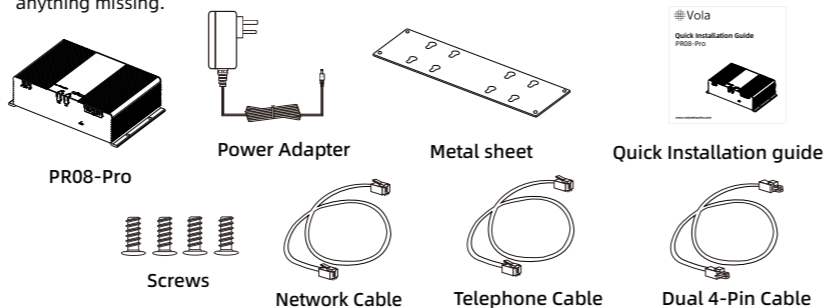
PR08-Pro



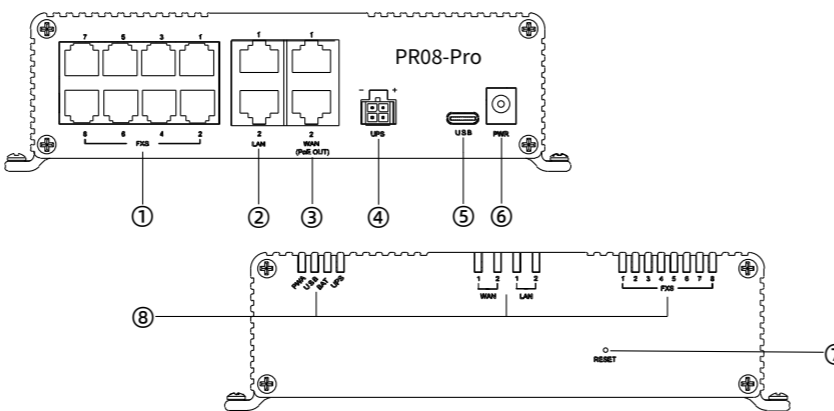
www.volanetworks.com

1 Packing List

The following items are included in your package. Please contact your service provider, if you find anything missing.



2 Physical Specification



3 Port Description

Number	Port Name	Port Description
①	FXS Ports 1-8	Connect to analog phone or FAX machine
②	LAN Ports	Connect to PC, switch or other devices
③	WAN Ports	Connect to internet, support PoE out
④	UPS Port	Connect terminal devices to supply power
⑤	USB Port	Connect to power bank for backup power supply
⑥	Power Port	Connect to 19V/3.42A power adapter
⑦	Reset Button	Press and hold for 5 seconds to restore factory settings
⑧	Indicators	Check the following table to get description of indicators

4 Indicator Description

FXS Port Indicator

Status	Description
Solid Green	Account Registered
Blinking Green	Ringing, Off-hook, On Call
Off	Disconnected or Registration failure

UPS Port Indicator

Status	Description
Solid Green	Ready to output power
Off	Insufficient device power to output

USB Port Indicator

Status	Description
Solid Orange	Power bank charging
Blinking Green	65W Power bank discharging
Blinking Orange	Non-65W Power bank discharging
Off	Disconnected or No-charging

WAN/LAN Port Indicator

Status	Description
Solid Green	Connection successful
Blinking Green	Data transmission
Off	Disconnected

PWR Port Indicator

Status	Description
Solid Green	Power On
Off	Power Off or Power On abnormality

BAT Indicator

Status	Description
Solid Green	Internal battery is full
Blinking Green	Internal battery is discharging
Solid Orange	Internal battery is charging
Blinking Orange	Internal battery is running out (<20%)
Off	Battery error/No battery

5 Device Installation

Wall-Mounted Installation

- Using the metal sheet included in the package, mark the wall mounting position on the wall;
- Drill 8 screws at the wall, allowing part of the screw beyond the wall for hanging the device;
- Using the screws included in the package, align the metal sheet with the holes and drive in the screws according to the 4 pre-drilled screw holes on the back of the device;
- Snap the 8 mounting holes of the metal sheet onto the screws on wall and pull down to lock it.



6 Device Installation

- Power Up:** Use the supplied power adapter, plug one end into the PWR connector of the device and one end into a power outlet, and the device will start up and activate the battery automatically.
 - Networking:** Use the supplied cable to connect the WAN port of the device to an LAN port of router or switch, the WAN port support PoE output to powered the connected device (if PoE input is supported).
 - Configuration:** Use the network cable to connect the LAN port of the device to the PC, enter the IP address of LAN port through browser (default: 192.168.1.1), enter username/password, default is admin/last 6 digits of SN. for safety reason, please change default password.
 - FXS Port Connection:** use the supplied telephone line to connect the FXS port of the device to an analog phone, and then configure the phone account, for detailed configuration, please visit: www.volanetworks.com
 - After all the above connections and configurations are completed, you can connect power bank through USB Type-C cable to serve as a backup power source for the device.
- Note:** It is recommended to use C-to-C USB cable that support over 65w charging to connect, for best effect please use 65W PD 3.0 or above power bank. Some power bank may need to be activated manually. If the power bank use USB-A cable to connect to PR08-Pro, PR08-Pro will not charge the power bank.
- UPS port can output 12V/2A (max) DC power, please check the positive and negative pole before connection. incorrect connection will cause damage to your device!